

*Innovative Combustion Solutions Worldwide*

# *GAS SHUT-OFF VALVES*

*WITH VISUAL POSITION INDICATION*

**Eclipse Model 8214VI gas shut-off valves are zero-differential, internal pilot operated diaphragm valves. They incorporate a double disc system: the first disc shuts off the gas flow while the second disc closes against the seat after valve stem overtravel.**

The visual position indicator provides external verification of the valve's open or shut positions.

These normally closed valves have aluminum bodies which must be vertical and upright when mounted. 1/8" N.P.T. upstream and downstream pipe taps with plugs provide easy access for routine testing.

These valves have metal Type 1 general purpose junction box enclosures with 18" leads.

- For use with fuel gas.
- Continuous duty Class F insulation coils are available in volts AC/Hz for:
  - ~ 24/60
  - ~ 120/60, 110/50
  - ~ 240/60, 220/50
  - ~ 480/60
- UL listed; FM approved; AGA, CGA and CSA certified.
- Valve components in contact with fluids:
  - ~ Body: Die-cast aluminum
  - ~ Seals and disc: Buna "N"
  - ~ Core and plugnut: 430F s.s.
  - ~ Core tube: 305 s.s.
  - ~ Springs: 302 s.s.
  - ~ Shading coil: Copper
  - ~ Plug: Zinc-plated steel

## **MODEL 8214VI**

*Two Way Normally Closed,  
Internal Pilot Operated Aluminum Bodies  
3/4" to 3" N.P.T.*

*Version 1.0*



**Eclipse Combustion**



## Specifications

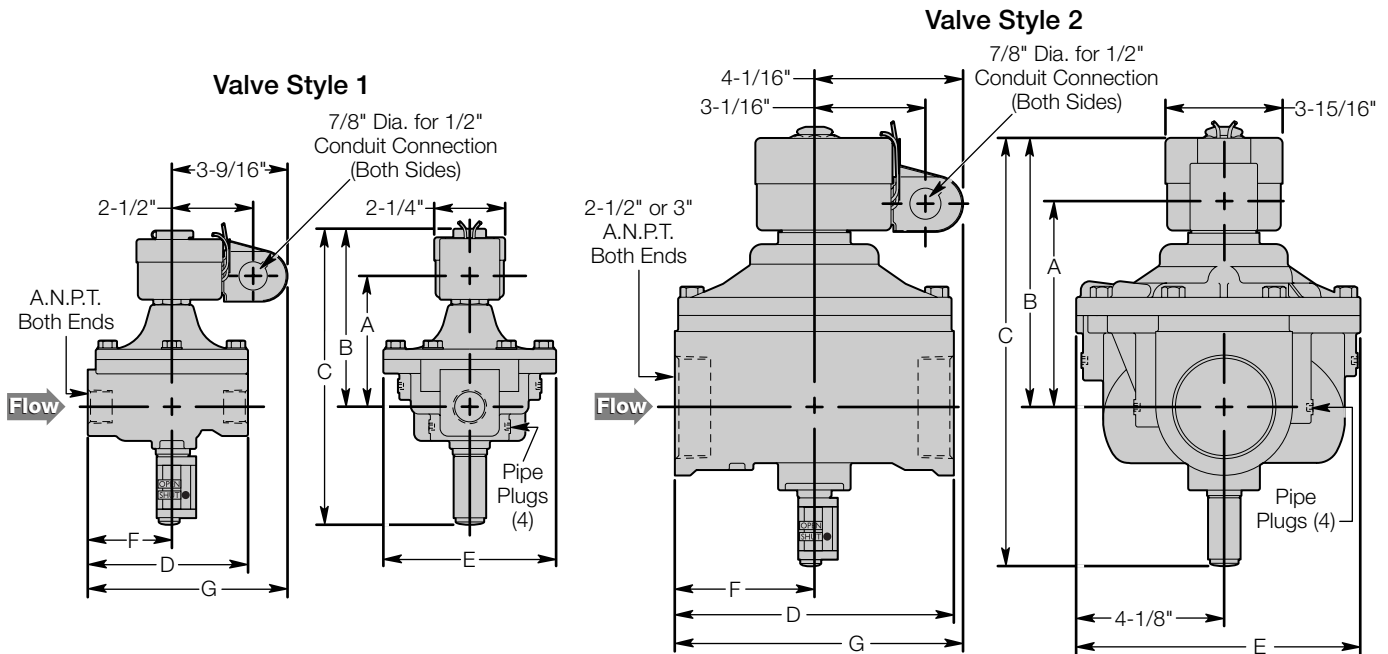
Size, "N.P.T.	Eclipse Model No. ①	Eclipse Part No.	Cv	Gas Capacity (Btu/hr.) ②	Operating Pressure Diff. (psi)		Fluid & Ambient Temp. (°F)		Watt Rating	Power Consumption	
					Min.	Max.	Min.	Max.		VA Holding	VA Inrush
3/4	ECI-JB821435VI	20448	11	580,000	0	5	-40	125	20.0	43	240
1	ECI-JB821450VI	20451	21	1,119,000	0	5	-40	125	20.0	43	240
1-1/4	ECI-JB821460VI	20453	32	1,730,000	0	5	-40	125	20.0	43	240
1-1/2	ECI-JB821470VI	20455	35	1,900,000	0	5	-40	125	20.0	43	240
2	ECI-JB821480VI	20457	60	2,800,000	0	5	-40	125	20.0	43	240
2-1/2	ECI-JB821490VI	20459	104	5,765,500	0	5	-40	125	28.2	50	385
3	ECI-JB821440VI	20461	105	5,796,000	0	5	-40	125	28.2	50	385

① All valve models must be mounted with the solenoid vertical and upright.

② For 1" w.c. pressure drop at 2" w.c. inlet pressure, 1,000 Btu/cu. ft. or more, for gas @ 0.64 specific gravity.

## Dimensions

Model Number	Pipe Size, "N.P.T.	Valve Style	Dimensions, In Inches						
			A	B	C	D	E	F	G
ECI-JB821435VI	3/4	1	4-3/16	5-1/2	9	5	5-3/8	2-5/8	6-3/16
ECI-JB821450VI	1	1	4-3/16	5-1/2	9	5	5-3/8	2-5/8	6-3/16
ECI-JB821460VI	1-1/4	1	4-3/16	5-9/16	9	5	5-3/8	2-5/8	6-3/16
ECI-JB821470VI	1-1/2	1	4-3/16	5-9/16	9	5	5-3/8	2-5/8	6-3/16
ECI-JB821480VI	2	1	4-1/2	5-15/16	9-5/8	6-1/8	6-5/16	3-5/16	6-13/16
ECI-JB821470VI	2-1/2	2	5-3/4	7-7/8	12-3/8	7-13/16	7-15/16	3-7/8	8
ECI-JB821480VI	3	2	5-3/4	7-7/8	12-3/8	7-13/16	7-15/16	3-7/8	8





***Eclipse Combustion***

**Offered By:**

Power Equipment Company  
2011 Williamsburg Road  
Richmond, VA 23231  
Phone: 804-236-3800 Fax: 804-236-3882

---

[www.peconet.com](http://www.peconet.com)