

*Innovative Combustion Solutions Worldwide*

# GENERAL PURPOSE GAS SHUT-OFF VALVES

## MODEL 8214

*Two Way Normally Closed,  
Internal Pilot Operated Aluminum Bodies  
1/2" to 3" N.P.T.*

*Version 1.0*



**Eclipse Model 8214 gas shut-off valves are zero-differential, internal pilot operated diaphragm valves. They are typically used as the main gas shut-off valves in commercial or industrial burner applications.**

These normally closed valves have aluminum bodies which must be vertical and upright when mounted, except for Model JB821435, which is mountable in any position. 1/8" N.P.T. upstream and downstream pipe taps with plugs provide easy access for routine testing.

These valves are available in two models: L and JB. L models have molded epoxy Types 1, 2, 3S and 4X combination general purpose and watertight solenoid enclosures with 72" leads and 1/2" conduit hub as standard. JB models have metal Type 1 general purpose junction box enclosures with 18" leads.

- For use with fuel gas.
- Continuous duty Class F insulation coils are available in volts AC/Hz for:
  - ~ 24/60
  - ~ 120/60, 110/50
  - ~ 240/60, 220/50
  - ~ 480/60
- UL listed; FM approved\*; AGA, CGA and CSA certified.
- Valve components in contact with fluids:
  - ~ Body: Die-cast aluminum
  - ~ Seals and disc: Buna "N"
  - ~ Core and plugnut: 430F s.s.
  - ~ Core tube: 305 s.s.
  - ~ Springs: 302 s.s.
  - ~ Shading coil: Copper
  - ~ Plug: Zinc-plated steel
  - ~ Core guide: Acetal (17.1 & 20 watt-rated models only)
  - ~ Rider ring: Filled Teflon™ (17.1 & 20 watt-rated models only)



**Eclipse Combustion**



\* FM approved for process control.

## Specifications

Size, "N.P.T.	Eclipse Model No.❶	Eclipse Part No.	Cv	Gas Capacity (Btu/hr.)❷	Operating Pressure Diff. (psi)		Fluid & Ambient Temp. (°F)		Watt Rating	Power Consumption	
					Min.	Max.	Min.	Max.		VA Holding	VA Inrush
1/2	ECI-L8214G20	20171	4.4	238,500	0	5	-40	125	17.1	40	93
3/4	ECI-JB821435	20173	11.0	580,000	0	5	-40	125	20.0	43	240
1	ECI-JB821450	20174	21.0	1,119,000	0	5	-40	125	20.0	43	240
1-1/4	ECI-JB821460	20175	32.0	1,730,000	0	5	-40	125	20.0	43	240
1-1/2	ECI-JB821470	20176	35.0	1,900,000	0	5	-40	125	20.0	43	240
2	ECI-JB821480	20177	60.0	2,800,000	0	5	-40	125	20.0	43	240
2-1/2	ECI-JB821490	20178	104.0	5,765,500	0	5	-40	125	28.2	50	385
3	ECI-JB821440	20179	105.0	5,796,000	0	5	-40	125	28.2	50	385

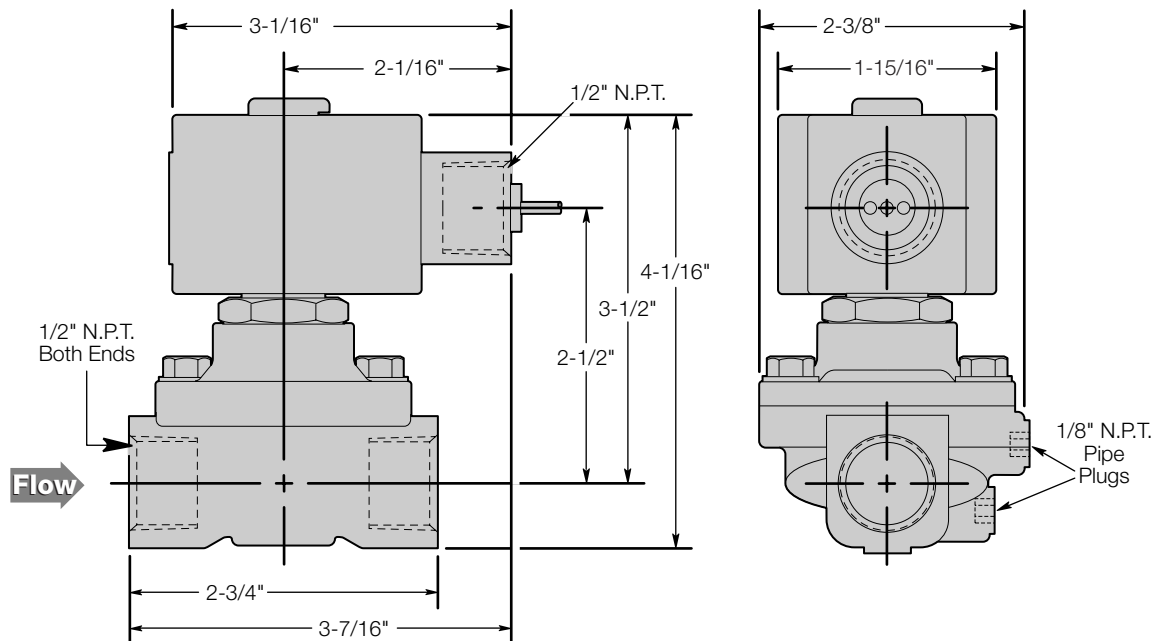
❶ Model ECI-JB821435 can be mounted in any position; all other valve models must be mounted with the solenoid vertical and upright.

❷ For 1" w.c. pressure drop at 2" w.c. inlet pressure, 1,000 Btu/cu. ft. or more, for gas @ 0.64 specific gravity.

## Dimensions

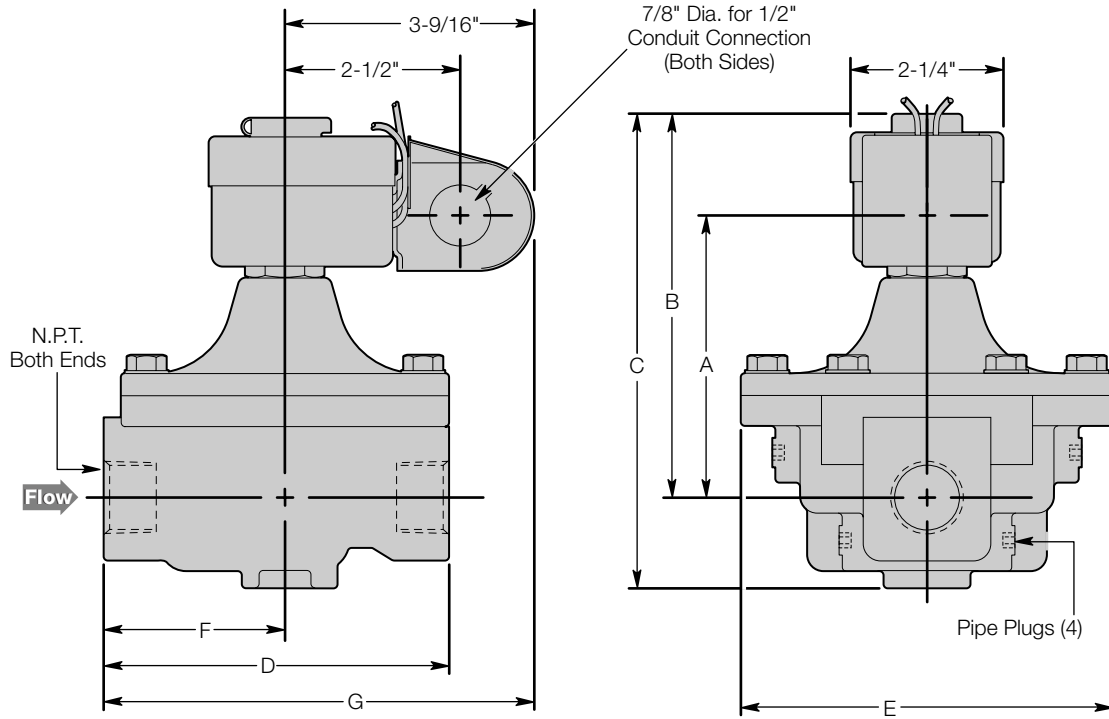
Model Number	Pipe Size, "N.P.T.	Valve Style	Dimensions, In Inches						
			A	B	C	D	E	F	G
ECI-JB821435	3/4	1	4-3/16	5-1/2	6-13/16	5	5-3/8	2-5/8	6-3/16
ECI-JB821450	1	1	4-3/16	5-1/2	6-13/16	5	5-3/8	2-5/8	6-3/16
ECI-JB821460	1-1/4	1	4-3/16	5-9/16	6-13/16	5	5-3/8	2-5/8	6-3/16
ECI-JB821470	1-1/2	1	4-3/16	5-9/16	6-13/16	5	5-3/8	2-5/8	6-3/16
ECI-JB821480	2	1	4-1/2	5-15/16	7-7/16	6-1/8	6-5/16	3-5/16	6-13/16
ECI-JB821470	2-1/2	2	5-3/4	7-7/8	10-3/16	7-13/16	7-15/16	3-7/8	8
ECI-JB821480	3	2	5-3/4	7-7/8	10-3/16	7-13/16	7-15/16	3-7/8	8

Model #ECI-L8214G20 Valve

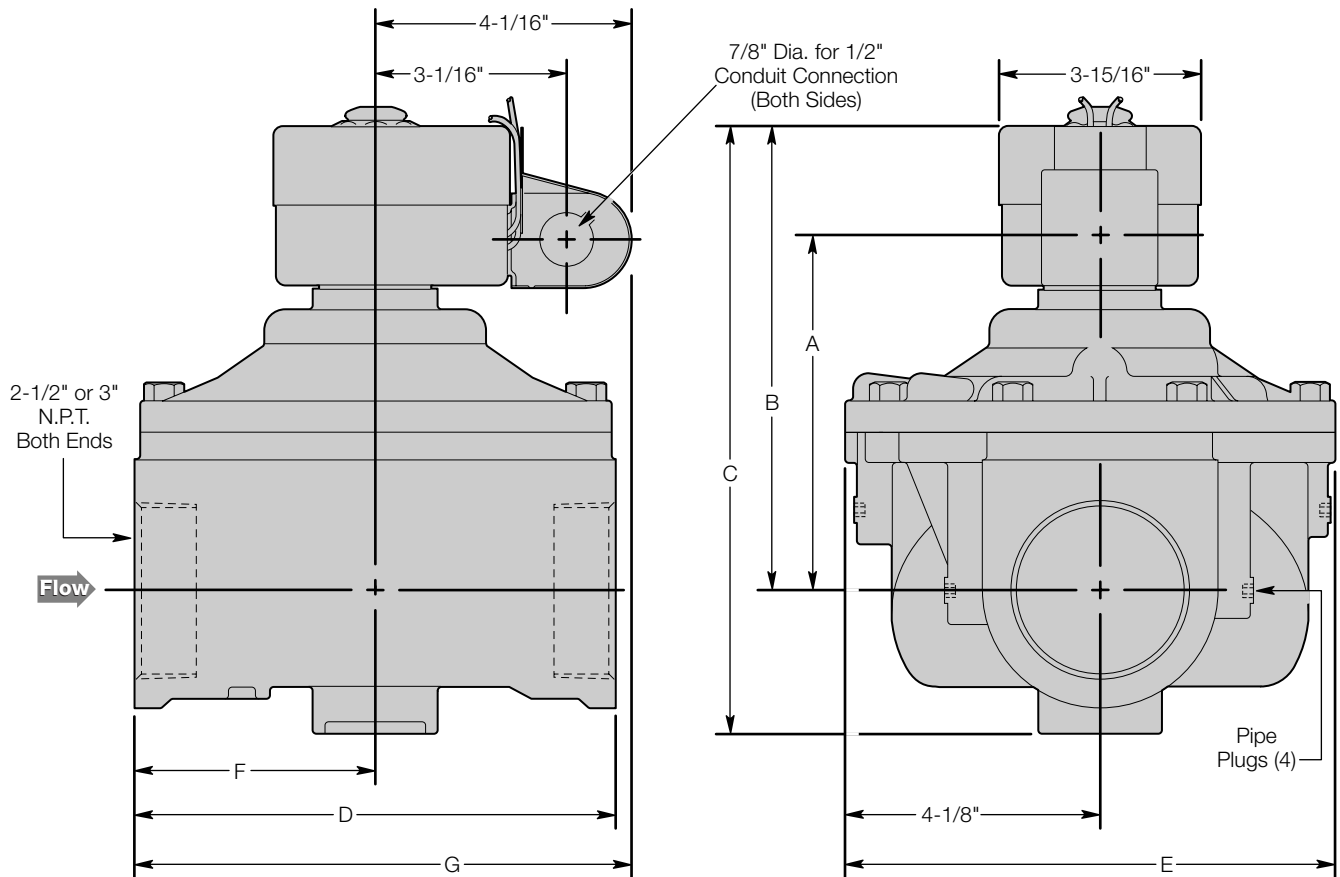


**Dimensions** (continued)

**Valve Style 1**



**Valve Style 2**





***Eclipse Combustion***

**Offered By:**

Power Equipment Company  
2011 Williamsburg Road  
Richmond, VA 23231  
Phone: 804-236-3800 Fax: 804-236-3882

---

[www.peconet.com](http://www.peconet.com)