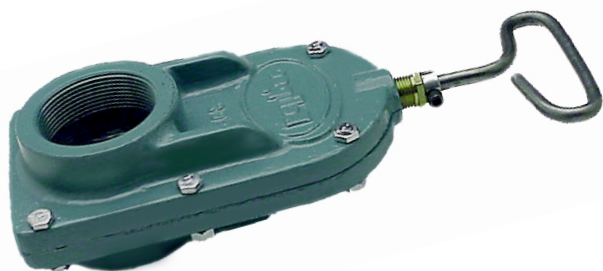


# Eclipse Blast Gates

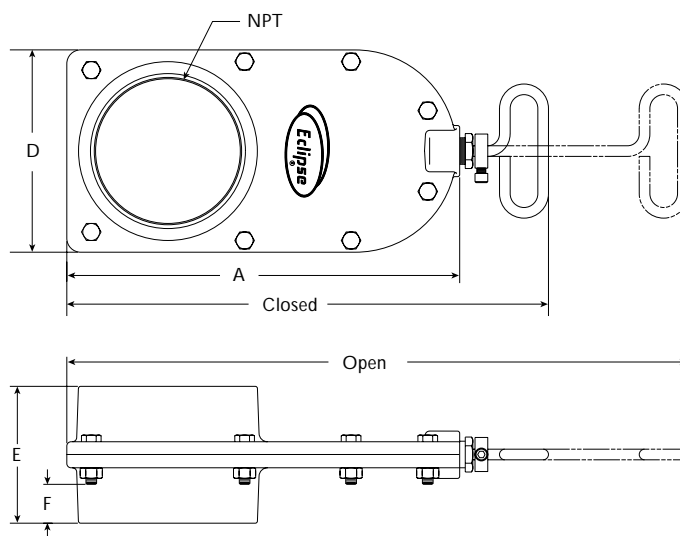


Eclipse Blast Gates are sturdy, inexpensive manual control valves for use with low pressure air up to 5 psig. Accidental shut off is prevented by an adjustable locking device on the handle rod. This lock allows the minimum setting to be fixed at any point.

The combination of a cast iron body and aluminum slide prevents the valve from freezing in one position.

These blast gates are not gas tight and are therefore recommended for use on air lines only. They are suitable for 600° F. operation with a maximum temperature on the material of 700° F. 1" thru 6" sizes are furnished with threaded connections.

## Dimensions



Item Code	NPT Size	A	Closed	Open	D	E	F	Weight LB.
500100	1"	4.38	6.25	7.50	2.19	2.12	0.50	3.5
500101	1-1/4"	5.50	8.25	10.00	3.12	2.25	0.62	5
500102	1-1/2"	5.50	8.25	10.00	3.12	2.25	0.62	5
500103	2"	8.25	11.00	13.50	4.25	3.00	0.75	8
500104	2-1/2"	9.75	12.25	15.50	4.75	3.25	1.12	9.5
500105	3"	9.75	12.25	15.50	4.75	3.25	1.12	9.5
500106	4"	12.25	14.00	18.50	6.00	4.00	1.50	13.5
500107	5"	18.25	20.25	26.50	8.25	4.50	1.50	32
500108	6"	18.25	20.25	26.50	8.25	4.50	1.50	32



**Eclipse Combustion**

ISO 9001 Registered

Offered By:

Power Equipment Company

2011 Williamsburg Road, Richmond, VA 23231

Phone: 804-236-3800 Fax: 804-236-3882

www.peconet.com