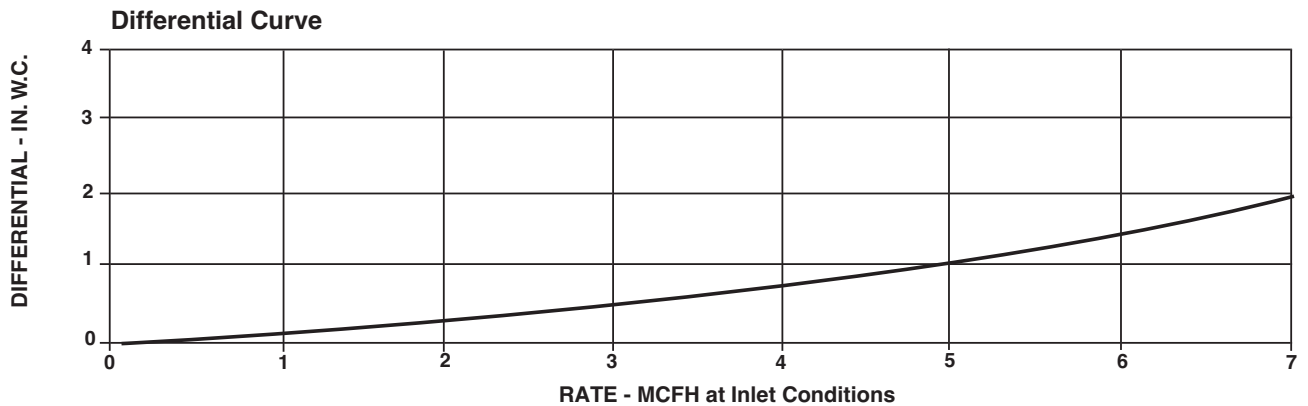
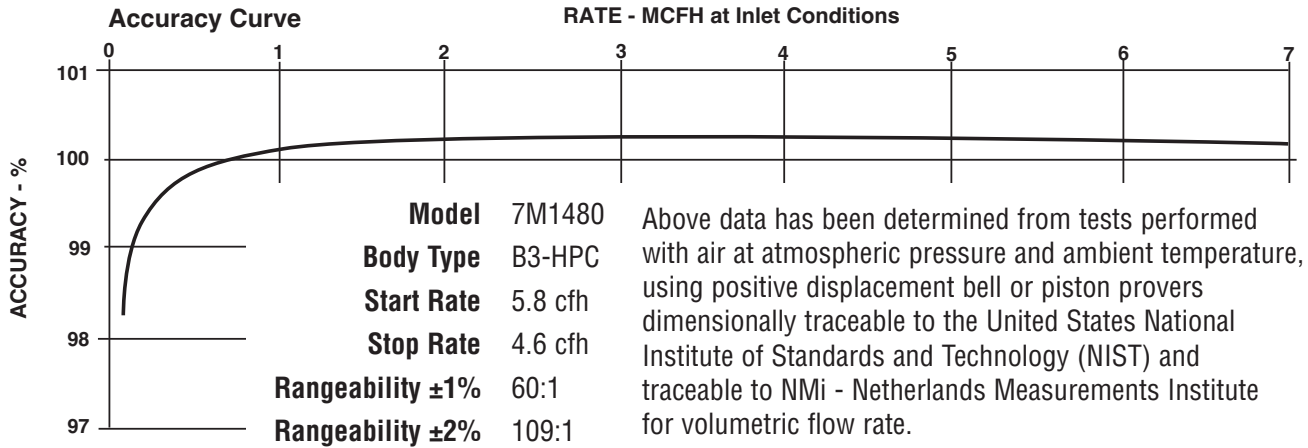




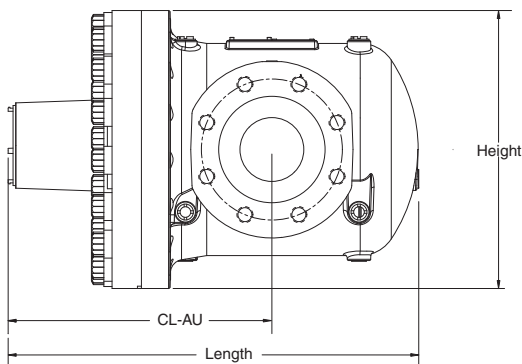
## SERIES B3-HPC: 7M1480 ROOTS® Meter

	<b>UNITS</b>	<b>Imperial</b>	<b>UNITS</b>	<b>Metric</b>
Temperature Range	deg. F	-40 to +140	deg. C	-40 to +60
Base Rating (Q Max.)	acfh	7000	m <sup>3</sup> /h	198,2
Max. Operating Pressure (MAOP)	psig	1480	kPa	10200
Leak Test (125% MAOP)	psig	1850	kPa	12750
Static Test (2 x MAOP)	psig	2960	kPa	20400
Rangeability +/- 1%	ratio	60:1	ratio	60:1
Rangeability +/- 2%	ratio	109:1	ratio	109:1
Start Rate	cfh	5.8	m <sup>3</sup> /h	0,1642
Stop Rate	cfh	4.6	m <sup>3</sup> /h	0,1303
Flow Rate @ 0.5" w.c., Gas	cfh	3850	m <sup>3</sup> /h	109,02
Avg. Differential, 100% Flow	in. w.c.	2	mbar	4,26
Max. Pressurization Rate	psig/sec	5	kPa/sec	35
Max. Operating Speed	rpm	1867	rpm	1867
Gear Ratio	ratio	160:1	ratio	565,03:1
Displaced Volume/Revolution	cf	0.0625	m <sup>3</sup>	0,001789
Drive Rate, CD	cf/rev	10	m <sup>3</sup> /rev	1
Min. Odometer Reading	cf	0.2	m <sup>3</sup>	0,2
Odometer Turnover	yrs.	3.8	yrs.	3,8
Nominal Pipe Size	in.	3	mm	3
Flange-to-Flange	in.	14-3/4	mm	374,65
Flange Connection	ANSI	600#RF	ANSI	600#RF
Bolts per Flange	qty.	8	qty.	8
Bolt Size <sup>1</sup>	in.	3/4 - 10	in.	3/4 - 10
Flange Bolt Hole Depth	in.	1-1/8	mm	29
Bolt Torque: Lubricated/Non-Lub.	ft.-lb.	80	N-m	506
Restricting Orifice (100%)	in.	25/32	mm	18,237
Oil Capacity - Side Inlet	oz.	14	ml	414
Oil Capacity - Top Inlet	oz.	29	ml	858
Counter Version (CTR) <sup>2</sup>				
Net Weight	lbs.	220	kg	99,79
Shipping Weight	lbs.	235	kg	106,6
Carton Size	in.	27 x 21 x 17	cm	68,5 x 53,3 x 43,2
Counter with Instrument Drive (CD) <sup>2</sup>				
Net Weight	lbs.	223	kg	101,2
Shipping Weight	lbs.	238	kg	108
Carton Size	in.	27 x 21 x 17	cm	68,5 x 53,3 x 43,2

**NOTES:**<sup>1</sup> Bolt Length varies by application.<sup>2</sup> Weights and dimensions available for CPS upon request.



7M1480 Series B3-HPC	Overall Length		Overall Height		Width (Flange/Flange)		Centerline to Accessory End (CL-AU)		Request Detailed Drawing Number
	inches	mm	inches	mm	inches	mm	inches	mm	
CTR	19-9/32	490	13-1/16	332	14-3/4	375	12-13/32	315	D056135-000
CD	23-3/32	587	13-1/16	332	14-3/4	375	16-13/16	412	D056136-000
CPS	21-15/32	545	13-1/16	332	14-3/4	375	14-9/16	370	D056137-000



**To order**

Specify: Meter Series, Size and Type (i.e., ROOTS Meter Series B3-HPC 7M1480 CTR).

For CD, specify Inlet (Top or Side) and ID Rotation (CW-B or CCW-A).

For Pulsar, specify Single or Dual Connectors and Connector Type (MS Circular, Conduit, or Cable Gland).

For more specific ordering information on the electronic products, request: TS:SSP or TS: MC.

Contact the factory for other available information, options, or special requests.

**POWER EQUIPMENT COMPANY**

2011 WILLIAMSBURG ROAD  
 RICHMOND, VIRGINIA 23231  
 (804) 236-3800 (FAX) (804) 236-3882

[www.peconet.com](http://www.peconet.com)



[www.dresser.com](http://www.dresser.com)