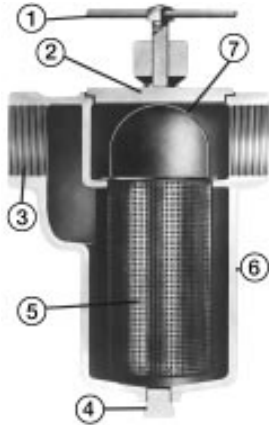




# KRAISSL SIMPLEX STRAINERS AND FILTERS MODEL 72 & 72H SERIES PRESSURE RANGE 200 TO 600 PSIG



## FEATURES

1. Hand clamp requires no tools on standard pressure models.
2. Top access to basket for easy cleaning.
3. Threaded, flanged, weld-end, or special ports available.
4. Drain connection on basket chamber.
5. Interchangeable, low cost strainer, filter and double element baskets.
6. Bodies individually pressure tested to U.L. specifications.
7. Spring handle holds basket on seat.



## OTHER STRAINERS & FILTERS

Our lines of cast iron, bronze, steel, and stainless steel simplex and duplex models are covered in other bulletins. For larger sizes and other materials, consult factory.

Bulletin No. A1882A (9706)



## PURPOSE

Kraissl pipeline strainers and filters protect pumps, nozzles, valves, heat exchangers and other expensive pipeline equipment from harmful flow contamination by catching dirt and debris.

## APPLICATION

Kraissl Model 72 Series simplex strainers and filters provide a simple cost-effective way to separate particle impurities from fluid flow systems. Simplex models described in this bulletin are designed for applications where temporary interruption of a batch process can be permitted for basket cleaning. Where continuous, uninterrupted flow is required, our duplex strainers and filters described in other bulletins should be used. Kraissl strainers are listed by Underwriter's Laboratories, Inc. (U.L.) for fuel and flammable liquid service through size 4 inch, and are individually tested to U.L. quality control specifications. These cast pipeline strainers are designed and manufactured according to international standard A.S.T.M. F-1199 for use in marine and industrial applications.

## DESIGN SPECIFICATIONS

Kraissl Model 72 series simplex strainers are supplied with quick-opening hand-clamp closure for pressure up to 200 psig in sizes up to six inch inclusive. Yoke closures permit easy access without use of tools. The basket is held on its seat by the cover against a spring basket handle. For higher pressure and larger sizes, our Model 72H series with stud and nut closures are available.

Strainer baskets are fabricated from perforated metal. The smallest common perforation size is 1/64 inch in brass and 1/32 inch in stainless steel or monel. Filter baskets are manufactured with fine mesh wire cloth over supporting perforated metal. Optional patented double element baskets provide greatly increased separating area in the same space, and are easily disassembled for cleaning. Interchangeable strainer, filter and double element baskets provide a wide range of operating choices. Baskets are also available with magnet inserts to help eliminate fine metallic ferrous particles.

Internal channels in the Model 72 and 72H Series are 100% full flow, having the same cross sectional area as the equivalent pipe size to avoid flow restriction. Normal flow is through the interior of the basket which contains the collected debris when lifted out for cleaning. Where reverse flow is desired, the fluid travels from the outside to the inside of the basket, and debris collects on the basket exterior.

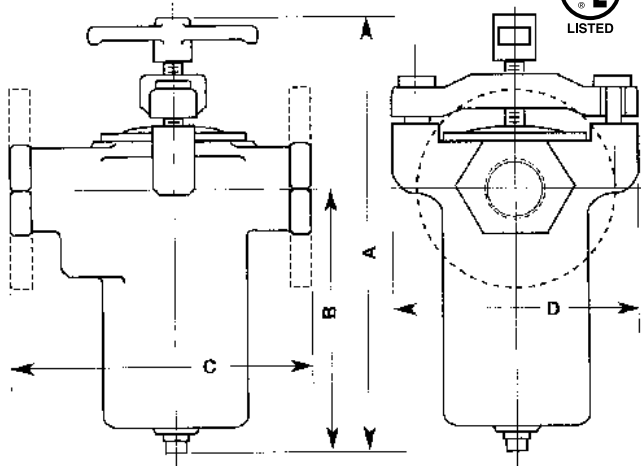
Both threaded-NPT port and A.N.S.I. flanged port connections are available, as well as metric flanges and other special ports. Drain plugs are furnished on all sizes. Backwash and gage taps can be installed. Weld-end ports and steam-jacketed steel models can also be provided.

**THE KRAISSL COMPANY INC.**

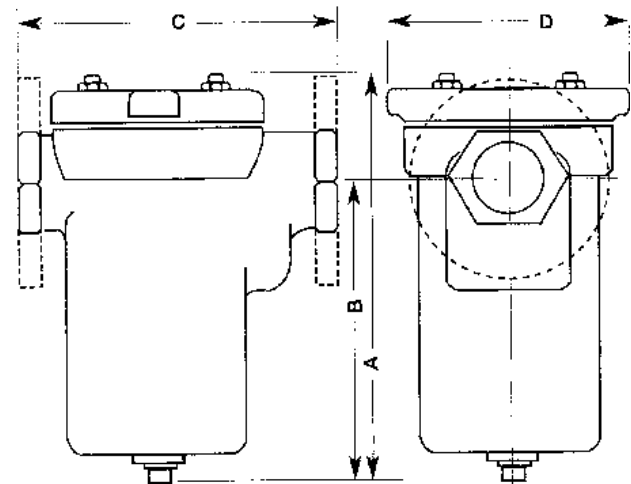


## SIZES AND DIMENSIONS Simplex Strainers and Filters

### MODEL 72 - STANDARD PRESSURE SERIES YOKE CLOSURE



### MODEL 72H - HIGH PRESSURE SERIES STUD AND NUT CLOSURE



### SINGLE ELEMENT BASKETS

The open area ratios of two common perforated metal sizes are given in the accompanying table. Strainer baskets are available in many other standard perforations and meshes. Basket materials include brass, stainless steel, carbon steel, monel, and other special alloys.

Basket Mod. No.	Pipe Size	Pipe Area Sq. In.	Basket O. D.	Basket Length	Scrn. Area Sq. In.	Open Scrn. Area		Straining Ratio	
						1/16"	1/32"	1/16"	1/32"
72-1 & 2	3/8	.191	1 1/2	2 7/8	15.3	6.1	4.3	31.9:1	22.5:1
72-3 & 4	1/2	.304	1 1/2	2 7/8	15.3	6.1	4.3	20.1:1	14.1:1
72-5 & 6	3/4	.533	1 15/16	3 15/16	26.9	10.8	7.5	20.3:1	14.1:1
72-7 & 8	1	.864	1 15/16	3 15/16	26.9	10.8	7.5	12.5:1	8.7:1
72-9 & 10	1 1/4	1.495	2 9/16	3 3/4	35.3	14.1	9.9	9.4:7	6.6:1
72-11 & 12	1 1/2	2.036	2 9/16	5	45.4	18.2	12.7	8.9:1	6.2:1
72-13 & 14	2	3.355	3 1/2	5 1/8	66.0	26.4	18.5	7.9:1	5.5:1
72-15	2 1/2	4.788	4 1/8	6 1/4	94.4	37.8	26.4	7.9:1	5.5:1
72-15L, FL, 16L, FL	2 1/2	4.788	3 1/2	7	86.6	34.6	24.2	7.2:1	5.1:1
72-17F	3	7.393	4 1/8	6 3/4	101	40.4	28.3	5.5:1	3.8:1
72-17L, FL, 18L, FL	3	7.393	3 1/2	8 1/2	103	41.2	28.8	5.6:1	3.9:1
72-21F & 22F	4	12.73	4 1/8	10 1/2	149	59.6	41.7	4.7:1	3.3:1
72-23F & 24F	5	20.01	6 7/8	9 1/4	237	94.8	66.4	4.7:1	3.3:1
72-25F & 26F	6	28.89	6 7/8	12	296	118	82.9	4.4:1	2.9:1
72-27F & 28F	8	50.03	9	16	516	206	144	4.1:1	2.9:1

All DIMENSIONS IN INCHES, APPROXIMATE

\* Perforated - Based on 40% open area t Perforated - Based on 28% open area

### Model 72 - Threaded - NPT Ports - 200 PSIG Max. Pressure

CAST IRON	CAST STEEL	STAINLESS STEEL	BRONZE	PIPE SIZE	A	B	C	D	NET WT. LBS.
72-1	72-1S	72-1SS	72-2	3/8	7 3/16	4 9/16	3 13/16	3 1/2	4
72-3	72-3S	72-3SS	72-4	1/2	7 3/16	4 9/16	3 13/16	3 1/2	4
72-5	72-5S	72-5SS	72-6	3/4	9 5/8	5 11/16	5 3/8	5	8
72-7	72-7S	72-7SS	72-8	1	9 5/8	5 11/16	5 3/8	5	8
72-9	72-9S	72-9SS	72-10	1 1/4	10 1/2	5 15/16	7	5 7/8	15
72-11	72-11S	72-11SS	72-12	1 1/2	12	7 7/16	7	5 7/8	16
72-13	72-13S	72-13SS	72-14	2	13 3/4	7 13/16	9	8 5/8	34
72-15	---	---	72-16	2 1/2	15 9/16	9 5/8	11 1/4	9 5/8	51
72-15L	72-15LS	72-15LSS	72-16L	2 1/2	16	10 5/16	9 1/4	8 5/8	42
72-17L	72-17LS	72-17LSS	72-18L	3	17 9/16	11 1/2	11 1/4	8 5/8	50

### Model 72F - Flanged Ports - 200 PSIG Max. Pressure

CAST IRON	CAST STEEL	STAINLESS STEEL	BRONZE	PIPE SIZE	A	B	C	D	NET WT. LBS.
72-7F	72-7FS	72-7FSS	72-8F	1	9 5/8	5 11/16	7 1/4	5	11
72-11F	72-11FS	72-11FSS	72-12F	1 1/2	12	7 7/16	8 3/8	5 7/8	21
72-13F	72-13FS	72-13FSS	72-14F	2	13 3/4	7 13/16	10 1/8	8 5/8	39
72-15FL	72-15FSL	72-15FSSL	72-16FL	2 1/2	16	10 5/16	11	8 5/8	57
72-15F	---	---	---	2 1/2	15 9/16	9 5/8	13	9 5/8	66
72-17FL	72-17FSL	72-17FSSL	72-18FL	3	17 9/16	11 1/2	12 5/8	8 5/8	67
72-17F	---	---	---	3	16 1/4	10 1/8	17 3/4	9 5/8	81
72-21F	72-21FS	72-21FSS	72-22F	4	21 3/8	14 7/8	17 3/4	9 5/8	115
72-23F	72-23FS	72-23FSS	72-24F	5	22	13 1/4	18 3/4	10 7/8	172
72-25F	72-25FS	72-25FSS	72-26F	6	26	16 1/2	19 1/2	11	220
72-27FH	72-27FHS	72-27FHSS	72-28FH	8	34	21	25 3/8	14 1/2	615

### Model 72H - Cast Iron - 400 PSIG Max. Pressure

CAST IRON	PIPE SIZE	PORT	A	B	C	D	NET WT. LBS.
72-1H	3/8	THREADED - NPT	5 7/8	4 9/16	3 13/16	3 3/4	4
72-3H	1/2	THREADED - NPT	5 7/8	4 9/16	3 13/16	3 3/4	4
72-5H	3/4	THREADED - NPT	17 15/16	5 13/16	5 3/8	4 13/16	13
72-7H	1	THREADED - NPT	17 15/16	5 13/16	5 3/8	4 13/16	13
72-9H	1 1/4	THREADED - NPT	9 13/16	7 9/16	7	5 3/8	16
72-11H	1 1/2	THREADED - NPT	9 13/16	7 9/16	7	5 3/8	16
72-13H	2	THREADED - NPT	11 1/8	7 15/16	9	6 13/16	34
72-15H	2 1/2	THREADED - NPT	12 15/16	9 3/4	11 1/4	9	51
72-15FH	3	CLASS 250 FLANGED	14 1/4	10 1/8	17 3/4	9	94
72-21FH	4	CLASS 250 FLANGED	19 7/8	14 7/8	17 3/4	9	134

### Model 72HS - Cast Steel - 600 PSIG Max. Pressure

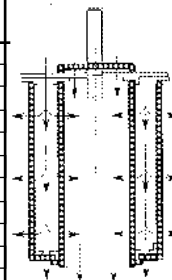
CAST STEEL	PIPE SIZE	PORT	A	B	C	D	NET WT. LBS.
72-1HS	3/8	THREADED - NPT	5 7/8	4 9/16	3 13/16	3 3/4	4
72-3HS	1/2	THREADED - NPT	5 7/8	4 9/16	3 13/16	3 3/4	4
72-5HS	3/4	THREADED - NPT	7 15/16	5 13/16	5 3/8	4 13/16	14
72-7HS	1	THREADED - NPT	7 15/16	5 13/16	5 3/8	4 13/16	14
72-9HS	1 1/4	THREADED - NPT	9 13/16	7 9/16	7	5 3/8	18
72-11HS	1 1/2	THREADED - NPT	9 13/16	7 9/16	7	5 3/8	18
72-13HS	2	THREADED - NPT	11 1/8	7 15/16	9	6 13/16	34
72-13FHS	2	CLASS 300 FLANGED	11 1/8	7 15/16	10 3/4	6 13/16	43
72-15HS	2 1/2	THREADED - NPT	12 15/16	9 3/4	11 1/4	9	51
72-15FHS	2 1/2	CLASS 300 FLANGED	13 1/2	9 3/4	11 1/4	9	73
72-17FHS	3	CLASS 300 FLANGED	14 1/4	10 1/8	17 3/4	9	104
72-21FHS	4	CLASS 300 FLANGED	19 7/8	14 7/8	17 3/4	9	148

All DIMENSIONS IN INCHES, SUBJECT TO CASTING AND PRODUCTION VARIATIONS

### DOUBLE ELEMENT BASKETS

These strainers can be supplied with our patented Double Element Baskets which are easily disassembled for cleaning and provide greater straining areas in the same housing. Double Element Baskets are listed by Underwriters Laboratories, Inc. for a variety of sizes.

Basket Mod. No.	Pipe Size	Pipe Area Sq. In.	Basket O. D.	Basket Length	Tot. Scrn. Area Sq. In.	Open Scrn. Area		Straining Ratio	
						1/16"	1/32"	1/16"	1/32"
72-7/1	1	.864	1 15/16	3 15/16	38.3	15.3	10.7	17.7:1	12.4:1
72-9/7	1 1/4	1.495	2 9/16	3 3/4	50.5	20.2	14.1	13.5:1	9.4:1
72-1 1/7	1 1/2	2.036	2 9/16	5	69.0	27.6	19.3	13.6:1	9.5:1
72-13/7	2	3.355	3 1/2	5 1/8	84.9	34.0	23.8	10.1:1	7.1:1
72-15L/7	2 1/2	4.788	3 1/2	7	115	46.0	32.2	9.6:1	6.7:1
72-15/7	2 1/2	4.788	4 1/8	6 1/4	121	48.4	33.9	10.1:1	7.1:1
72-17L/7	3	7.393	3 1/2	8 1/2	140	56.0	39.2	7.6:1	5.3:1
72-17 F/11	3	7.393	4 1/8	6 3/4	141	56.4	39.5	7.6:1	5.3:1
72-21/11	4	12.73	4 1/8	10 1/2	220	88.0	61.6	6.9:1	4.8:1
72-23/15	5	20.01	6 15/16	9 1/8	300	120	84.0	6.0:1	4.2:1
72-25/15	6	28.89	6 15/16	11 1/2	386	154	108	5.3:1	3.7:1
72-53/15	8	50.03	9	16	649	260	182	5.2:1	3.6:1



All DIMENSIONS IN INCHES, APPROXIMATE

\* Perforated - Based on 40% open area t Perforated - Based on 28% open area Bulletin No. A1882A (9709)



Represented By:  
**Power Equipment Company**  
2011 Williamsburg Road  
Richmond, VA 23231  
Ph. 804-236-3800  
Fx. 804-236-3882  
[www.peconet.com](http://www.peconet.com)